

ROUGH-TERRAIN CRANE RT100



ZOOMLION

Zoomlion Heavy Industry Science & Technology Co.,Ltd.

Add: Zoomlion Overseas Building, No.613, 3rd Section, Furong Middle Road, Yuhua District, Changsha, Hunan, P.R.China 410205

Copyright © 2016 Zoomlion. All rights reserved. Reproduction and copying of any part of the contents is not allowed for any purposes without Zoomlion's written approval.
Note: No product coating appearance shall be subject to sample.



ZOOMLION

Printed in China VIN: EN-MIC-201604-01

en.zoomlion.com

ZOOMLION Rough Terrain Crance

Maneuverable and robust drive

1. Four-wheel drive and four-wheel steer chassis;
2. Fully hydraulic steering system;
3. Variable steering modes, front-wheel steer, four-wheel steer and crab steer; Short vehicle length and small turning radius provide the crane with maximum maneuverability and flexibility in narrow job sites.

Excellent off-road capability

Big ground clearance and departure/approach angle offer excellent off-road capability.

Strong gradeability

Cummins electronically-controlled engine, automated transmission and steerable drive axles provide reliable power output. Even in the condition of abrupt road resistance, the engine can also be functional. Four-wheel drive, hydraulic suspension and special tires optimize the vehicle's drive performance to its maximum, suitable for any bad roads and job sites.

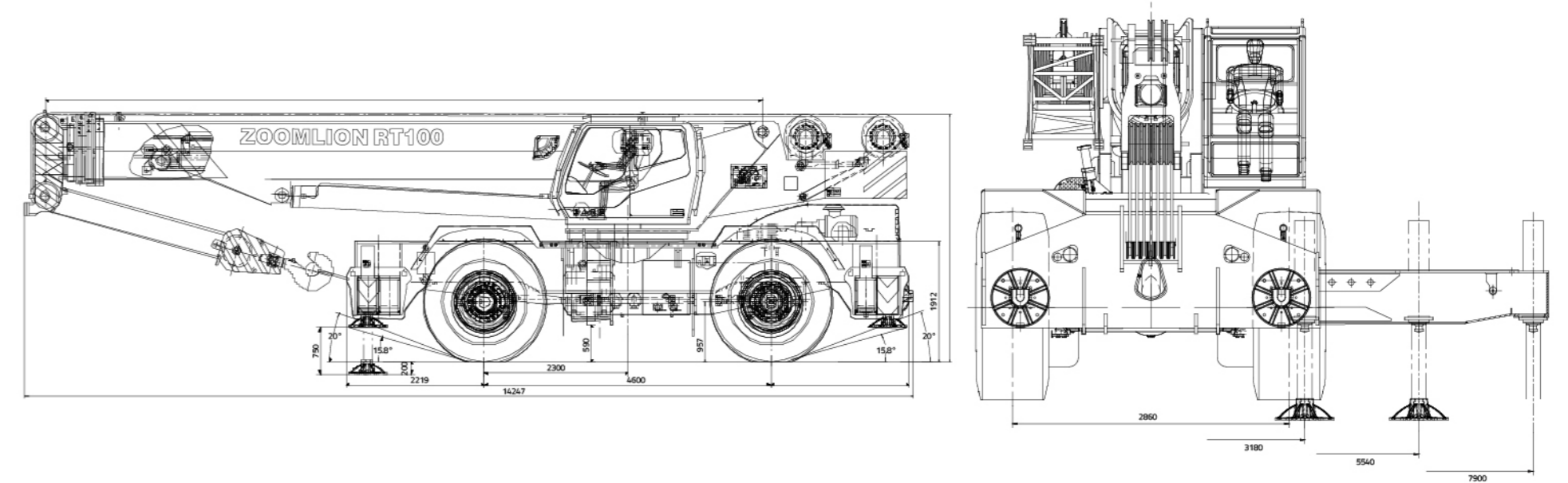
Pick-and-carry operations

1. The rough terrain crane has the ability to pick and carry loads, thus improves the working efficiency greatly.
2. The crane can also carry out "On tires" Lifts without extending the outrigger beams in narrow job sites.
3. Superior pick-and-carry ability during short-distance transit can bring great convenience to the users.

Single cab design

1. Single cab design with large skylight provides large field of view;
2. Air-cushioned seat suits to all types of figures, which can release the driver's or operator's fatigue, thus improves the working efficiency;
3. The crane is fitted with air conditioning, suitable for all-weather work;
4. Digital display and keyboard units, advanced data bus technology, error check and audible & acoustic alarm ensure the safety and high efficiency of the operation.

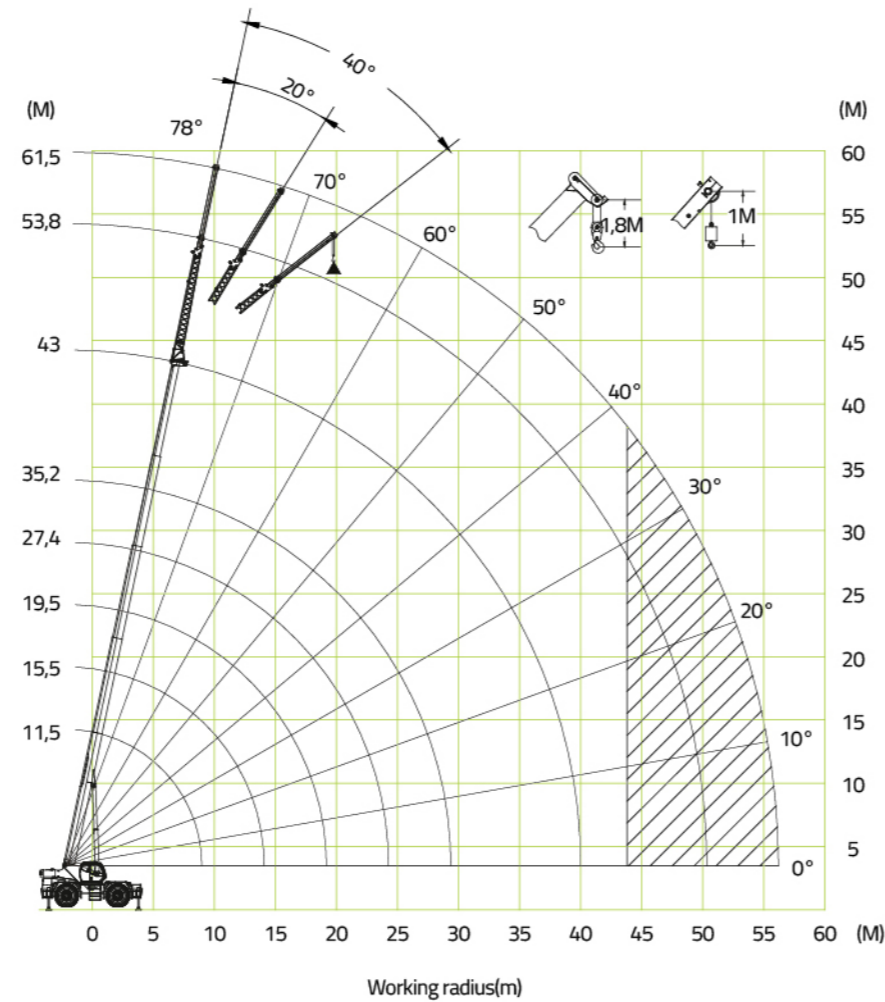
Overall View (Unit: Metric mm)



Technical Data

	Item		Value
Work performance	Max. rated lift capacity × work radius	kg.m	100000×3.0
	Max. load moment of basic boom	kN.m	3339
	Max. load moment of fully extended main boom	kN.m	1388
	Max. lift height of fully extended main boom	m	45.6
	Max. lift height of jib	m	63
Dimensions	Overall dimensions (L × W × H)	mm	14247×3620×3960
	Outrigger spread (L × W)	mm	8000×7900
	Main boom length (Fully retracted fully extended)	mm	10800 - 43000
	Jib length (Jib section 1, jib sections 1+2)	mm	10000 - 17000
	Boom angle	°	-3 ~ 78
	Swing range		
Work speeds	Max. hoist rope speed (Main winch)	m/min	126
	Min. boom extend time	s	170
	Min. boom retract time	s	158
	Min. boom derrick up time	s	82
	Min. boom derrick down time	s	69
	Swing speed	r/min	0-1.5
Hydraulic system	Rate work pressure	MPa	30
	Rate work oil flow	L/min	500
	Hydraulic oil tank capacity	L	1200
Mass	Complete vehicle mass	kg	65000
	Front axle load	kg	33200
	Rear axle load	kg	31800
Travel	Max. travel speed (Forwards/backwards)	km/h	24/15
	Wheelbase	mm	4600
	Treads (Front/rear)	mm	2860

Lifting Height Curve



Lifting Capacity Tables

On Outriggers-Fully Extended

Boom		11500mm		15513mm		19525mm		23438mm							
Load Radius (mm)	Boom Angle (deg)	Fornt (kg)	360° (kg)	Load Radius (mm)	Boom Angle (deg)	Fornt (kg)	360° (kg)	Load Radius (mm)	Boom Angle (deg)	Fornt (kg)	360° (kg)	Load Radius (mm)	Boom Angle (deg)	Fornt (kg)	360° (kg)
3000	68.4	100000	100000	3000	74.3	80500	80500								
3500	65.6	96750	96750	3500	72.3	80500	80500								
4000	62.7	84550	84550	4000	70.3	80500	80500	4000	74.6	56300	56300				
4500	59.7	74250	74250	4500	68.3	72350	72350	4500	73.0	54000	54000	4500	75.9	42140	42140
5000	56.6	66050	66050	5000	66.3	64400	64400	5000	71.4	51900	51900	5000	74.7	40540	40540
5500	53.4	59350	59350	5500	64.2	57850	57850	5500	69.9	49900	49900	5500	73.4	39040	39040
6000	50.0	53750	53750	6000	62.0	52430	52430	6000	68.3	48100	48100	6000	72.1	37640	37640
6500	46.4	48970	48970	6500	59.8	47830	47830	6500	66.6	44850	44850	6500	70.8	36340	36340
7000	42.5	44910	44910	7000	57.6	43840	43840	7000	65.0	41300	41300	7000	69.5	35140	35140
7500	38.2	41380	41380	7500	55.3	40440	40430	7500	63.3	38150	38150	7500	68.1	33990	33990
8000	33.3	38330	38320	8000	52.9	37420	37420	8000	61.6	35400	35380	8000	66.8	32940	32940
9000	19.8	33190	33190	9000	47.8	32390	32370	9000	58.1	30750	30750	9000	64.0	30740	30740
9387	0.0	16270	16270	10000	42.2	28390	27260	10000	54.5	27020	25280	10000	61.2	27180	25360
				11000	35.9	24240	22540	11000	50.6	22670	21030	11000	58.3	22860	21270
				12000	28.1	20460	18970	12000	46.5	19200	17760	12000	55.3	19500	18100
				13389	0.0	9960	9960	14000	37.2	14290	13120	14000	48.9	14700	13550
								16000	24.7	11010	11030	16000	41.7	11440	10470
								17395	0.0	6200	6200	18000	33.2	9100	8260
												20000	21.6	7390	6650
												21303	0.0	4610	4610

On Outriggers-Fully Extended

Boom 27350mm				31260mm				35175mm				39088mm				43000mm				
Load Radius (mm)	Boom Angle (deg)	Fornt (kg)	360° (kg)	Load Radius (mm)	Boom Angle (deg)	Fornt (kg)	360° (kg)	Load Radius (mm)	Boom Angle (deg)	Fornt (kg)	360° (kg)	Load Radius (mm)	Boom Angle (deg)	Fornt (kg)	360° (kg)	Load Radius (mm)	Boom Angle (deg)	Fornt (kg)	360° (kg)	
5500	75.8	32490	32490																	
6000	74.7	31390	31390																	
6500	73.6	30340	30340																	
7000	72.5	29390	29390	7000	74.8	25090	25090													
7500	71.4	28490	28490	7500	73.8	24390	24390													
8000	70.3	27640	27640	8000	72.9	23690	23690	8000	74.8	18890	18890									
9000	68.0	26090	26090	9000	70.9	22490	22490	9000	73.1	18040	18040	9000	74.9	14240	14240					
10000	65.7	24740	24740	10000	69.0	21340	21340	10000	71.4	17290	17290	10000	73.3	13590	13590	10000	74.9	9740	9740	
11000	63.3	22470	20960	11000	66.9	20340	19850	11000	69.7	16590	16590	11000	71.8	12990	12990	11000	73.5	9290	9290	
12000	60.9	19340	17990	12000	64.9	18500	17230	12000	67.9	15940	15940	12000	70.2	12440	12440	12000	72.1	8890	8890	
14000	55.9	14800	13690	14000	60.7	14400	13350	14000	64.3	13870	12890	14000	67.1	11490	11490	14000	69.3	8140	8140	
16000	50.5	11670	10720	16000	56.3	11520	10620	16000	60.6	11250	10400	16000	63.8	10690	10210	16000	66.4	7540	7540	
18000	44.6	9380	8560	18000	51.7	9380	8590	18000	56.7	9280	8530	18000	60.4	9150	8420	18000	63.4	6990	6990	
20000	38.0	7650	6930	20000	46.7	7730	7030	20000	52.6	7740	7070	20000	56.9	7670	7020	20000	60.3	6490	6490	
22000	30.1	6310	5660	22000	41.3	6430	5800	22000	48.3	6510	5900	22000	53.3	6480	5890	22000	57.2	6090	5970	
24000	19.2	5280	4690	24000	35.1	5390	4820	24000	43.6	5510	4950	24000	49.5	5510	4960	24000	53.9	5580	5040	
25213	0.0	3490	3490	26000	27.6	4550	4020	26000	38.5	4670	4160	26000	45.4	4690	4190	26000	50.4	4760	4260	
				28000	17.2	3890	3390	28000	32.6	3970	3500	28000	41.0	4000	3540	28000	46.8	4070	3610	
				29123	0.0	2630	2630	30000	25.6	3390	2950	30000	36.1	3420	2980	30000	42.9	3480	3050	
								32000	15.5	2930	2510	32000	30.6	2920	2510	32000	38.8	2970	2570	
								33034	0.0	1990	1990	34000	23.8	2510	2120	34000	34.1	2540	2150	
												36000	14.1	2180	1810	36000	28.8	2160	1800	
												36945	0.0	1460	1460	38000	22.3	1840	1500	
																40000	12.8	1600	1270	
																40856	0.0	1010	1010	

On Outriggers-Mid Position

Boom 11500mm			15513mm			19525mm			23438mm		
Load Radius (mm)	Boom Angle (deg)	360° (kg)	Load Radius (mm)	Boom Angle (deg)	360° (kg)	Load Radius (mm)	Boom Angle (deg)	360° (kg)	Load Radius (mm)	Boom Angle (deg)	360° (kg)
3000	68.4	100000	3000	74.3	80500						
3500	65.6	90150	3500	72.3	80500						
4000	62.7	77900	4000	70.3	75690	4000	74.6	56300			
4500	59.7	68350	4500	68.3	66500	4500	73.0	54000			
5000	56.6	60700	5000	66.3	59150	5000	71.4	51900	5000	74.7	40540
5500	53.4	53570	5500	64.2	51090	5500	69.9	44580	5500	73.4	39040
6000	50.0	44280	6000	62.0	42350	6000	68.3	37540	6000	72.1	36500
6500	46.4	37480	6500	59.8	35910	6500	66.6	32200	6500	70.8	31590
7000	42.5	32300	7000	57.6	30970	7000	65.0	28010	7000	69.5	27690
7500	38.2	28210	7500	55.3	27050	7500	63.3	24640	7500	68.1	24520
8000	33.3	24900	8000	52.9	23880	8000	61.6	21860	8000	66.8	21890
9000	19.8	19890	9000	47.8	19040	9000	58.1	17560	9000	64.0	17780
9387	0.0	16270	10000	42.2	15530	10000	54.5	14380	10000	61.2	14720
						11000	50.6	11940	11000	58.3	12360
						12000	46.5	10020	12000	55.3	10470
						13389	0.0	8730	14000	48.9	7670
						16000	24.7	5210	16000	41.7	5700
						17395	0.0	4330	18000	33.2	4250
									20000	21.6	3180
									21303	0.0	2780

On Outriggers-Mid Position

Boom 27350mm			31263mm			35175mm			39088mm			43000mm		
Load Radius (mm)	Boom Angle (deg)	360° (kg)	Load Radius (mm)	Boom Angle (deg)	360° (kg)	Load Radius (mm)	Boom Angle (deg)	360° (kg)	Load Radius (mm)	Boom Angle (deg)	360° (kg)	Load Radius (mm)	Boom Angle (deg)	360° (kg)
6000	74.7	31390												
6500	73.6	29820												
7000	72.5	26400	7000	74.8	23910									
7500	71.4	23590	7500	73.8	21590									
8000	70.3	21220	8000	72.9	19620	8000	74.8	18010						
9000	68.0	17480	9000	70.9	16420	9000	73.1	15320	9000	74.9	14240			
10000	65.7	14640	10000	69.0	13950	10000	71.4	13180	10000	73.3	12640	10000	74.9	9740
11000	63.3	12420	11000	66.9	11980	11000	69.7	11460	11000	71.8	11070	11000	73.5	9290
12000	60.9	10650	12000	64.9	10380	12000	67.9	10030	12000	70.2	9750	12000	72.1	8890
14000	55.9	7960	14000	60.7	7920	14000	64.3	7800	14000	67.1	7660	14000	69.3	7740
16000	50.5	6050	16000	56.3	6130	16000	60.6	6150	16000	63.8	6100	16000	66.4	6180
18000	44.6	4620	18000	51.7	4780	18000	56.7	4880	18000	60.4	4880	18000	63.4	4960
20000	38.0	3510	20000	46.7	3710	20000	52.6	3880	20000	56.9	3910	20000	60.3	4000
22000	30.1	2650	22000	41.3	2860	22000	48.3	3060	22000	53.3	3110	22000	57.2	3200
24000	19.2	1990	24000	35.1	2180	24000	43.6	2390	24000	49.5	2460	24000	53.9	2550
25213	0.0	1790	26000	27.6	1620	26000	38.5	1820	26000	45.4	1900	26000	50.4	1990
			28000	17.2	1190	28000	32.6	1350	28000	41.0	1440	28000	46.8	1520
			29123	0.0	1100	30000	25.6	950	30000	36.1	1040	30000	42.9	1120

On Outriggers-Retracted

Boom 11500mm			15513mm			19525mm			23438mm		
Load Radius (mm)	Boom Angle (deg)	360° (kg)	Load Radius (mm)	Boom Angle (deg)	360° (kg)	Load Radius (mm)	Boom Angle (deg)	360° (kg)	Load Radius (mm)	Boom Angle (deg)	360° (kg)
3000	68.4	75500	3000	74.3	70420						
3500	65.6	54060	3500	72.3	50950						
4000	62.7	41510	4000	70.3	39320	4000	74.6	33700			
4500	59.7	33270	4500	68.3	31590	4500	73.0	27580			
5000	56.6	27440	5000	66.3	26090	5000	71.4	23060	5000	74.7	22630
5500	53.4	23110	5500	64.2	21970	5500	69.9	19590	5500	73.4	19420
6000	50.0	19760	6000	62.0	18760	6000	68.3	16840	6000	72.1	16860
6500	46.4	17090	6500	59.8	16210	6500	66.6	14610	6500	70.8	14760
7000	42.5	14920	7000	57.6	14110	7000	65.0	12770	7000	69.5	13000
7500	38.2	13120	7500	55.3	12370	7500	63.3	11210	7500	68.1	11520
8000	33.3	11600	8000	52.9	10900	8000	61.6	9890	8000	66.8	10250
9000	19.8	9180	9000	47.8	8560	9000	58.1	7750	9000	64.0	8180
9387	0.0	8500	10000	42.2	6770	10000	54.5	6100	10000	61.2	6570
			11000	35.9	5370	11000	50.6	4780	11000	58.3	5290
			12000	28.1	4240	12000	46.5	3720	12000	55.3	4240
			13389	0.0	3100	14000	37.2	2100	14000	48.9	2640
						16000	24.7	950	16000	41.7	1480

On Outriggers-Retracted

Boom 27350mm			31263mm			35175mm			39088mm			43000mm		
Load Radius (mm)	Boom Angle (deg)	360° (kg)	Load Radius (mm)	Boom Angle (deg)	360° (kg)	Load Radius (mm)	Boom Angle (deg)	360° (kg)	Load Radius (mm)	Boom Angle (deg)	360° (kg)	Load Radius (mm)	Boom Angle (deg)	360° (kg)
6000	74.7	16240												
6500	73.6	14360												
7000	72.5	12770	7000	74.8	11900									
7500	71.4	11420	7500	73.8	10740									
8000	70.3	10250	8000	72.9	9730	8000	74.8	9180						
9000	68.0	8320	9000	70.9	8030	9000	73.1	7710	9000	74.9	7400			
10000	65.7	6810	10000	69.0	6680	10000	71.4	6500	10000	73.3	6310	10000	74.9	6380
11000	63.3	5590	11000	66.9	5570	11000	69.7	5510	11000	71.8	5390	11000	73.5	5460
12000	60.9	4590	12000	64.9	4650	12000	67.9	4670	12000	70.2	4600	12000	72.1	4680
14000	55.9	3030	14000	60.7	3200	14000	64.3	3340	14000	67.1	3340	14000	69.3	3430
16000	50.5	1890	16000	56.3	2120	16000	60.6	2320	16000	63.8	2370	16000	66.4	2460
18000	44.6	1030	18000	51.7	1290	18000	56.7	1530	18000	60.4	1610	18000	63.4	1700
									20000	56.9	990	20000	60.3	1090

Outriggers Fully Extended

10.8m Offsetable jib						
Boom Angle(°)	0° Offset		20° Offset		40° Offset	
	Load Radius (mm)	360°(kg)	Load Radius (mm)	360°(kg)	Load Radius (mm)	360°(kg)
76	11151	6990	14579	4290	17278	3140
74	13006	6390	16378	4140	18984	3090
72	14842	5890	18154	3990	20665	3040
70	16657	5440	19906	3840	22318	2990
68	18449	5040	21631	3690	23941	2940
66	20216	4740	23327	3590	25532	2890
64	21956	4440	24992	3490	27090	2840
62	23667	4140	26624	3390	28612	2790
60	25346	3890	28220	3240	30096	2790
58	26992	3690	29780	3040	31542	2740
56	28602	3330	31301	2890	32946	2640
54	30175	2970	32781	2730	34307	2540
52	31708	2650	34219	2460	35624	2360
50	33200	2370	35612	2210	36895	2130
48	34649	2120	36959	1980	38118	1920
46	36053	1900	38259	1780	39293	1740
44	37411	1700	39509	1600	40417	1570
42	38720	1520	40708	1440	41488	1420
40	39980	1360	41856	1300	42507	1280
38	41188	1220	42949	1170	43471	1150

Outriggers Fully Extended

10.5m Offsetable jib						
Boom Angle(°)	0° Offset		20° Offset		40° Offset	
	Load Radius (mm)	360° (kg)	Load Radius (mm)	360° (kg)	Load Radius (mm)	360° (kg)
76	13013	3840	18884	2090	23506	1540
74	15128	3540	20903	1990	25367	1490
72	17220	3290	22894	1940	27194	1440
70	19290	3040	24855	1840	28985	1440
68	21333	2840	26782	1790	30738	1390
66	23348	2690	28675	1740	32452	1390
64	25331	2540	30530	1690	34123	1390
62	27281	2390	32345	1640	35750	1340
60	29196	2290	34118	1590	37331	1340
58	31072	2190	35847	1540	38863	1340
56	32907	2090	37529	1540	40346	1290
54	34700	1990	39163	1490	41777	1290
52	36448	1940	40747	1490	43154	1290
50	38149	1890	42279	1440	44477	1290
48	39800	1700	43756	1440	45742	1290
46	41401	1500	45178	1360	46949	1290
44	42949	1330	46542	1210	48096	1170
42	44441	1180	47846	1080	49182	1050
40	45877	1050	49090	970	50206	940
38	47254	930	50271	860	51165	840

On Tires

Boom		11500mm			15431mm			
Load Radius (mm)	Boom Angle (deg)	360° (kg)	Over Front (kg)	Front Driving (kg)	Boom Angle (deg)	360° (kg)	Over Front (kg)	Front Driving (kg)
3000	68.4	32900	42550	31600	74.2	33560	43050	32150
3500	65.6	28330	38050	28050	72.2	29050	38600	28650
4000	62.7	24640	34230	25100	70.2	25460	34870	25780
4500	59.7	21630	31020	22610	68.2	22450	31700	23310
5000	56.6	19100	28240	20440	66.1	19970	28910	21140
5500	53.4	17000	25840	18580	64.0	17850	26560	19290
6000	50.0	15180	23710	16900	61.8	16060	24450	17700
6500	46.4	13580	21840	15460	59.6	14490	22610	16250
7000	42.5	11950	20220	14200	57.3	13000	21010	14960
7500	38.2	10340	18730	13010	55.0	11370	19550	13800
8000	33.3	8980	17380	11960	52.6	10000	18180	12780
9000	19.8	6810	15000	10180	47.4	7800	15940	11010
10000					21.8	6120	13150	9520
11000					35.3	4800	10890	8300
12000					27.3	3740	9120	7160

Lifting Capacity Tables

On Tires

Boom		19325mm			23238mm			
Load Radius (mm)	Boom Angle (deg)	360° (kg)	Over Front (kg)	Front Driving (kg)	Boom Angle (deg)	360° (kg)	Over Front (kg)	Front Driving (kg)
4000	74.4	25140	34360	25510				
4500	72.8	22330	31300	23120				
5000	71.2	19980	28740	21110	74.5	19040	27540	20290
5500	69.6	17960	26460	19330	73.2	17240	25430	18660
6000	68.0	16230	24440	17770	71.9	15680	23630	17250
6500	66.4	14730	22670	16380	70.6	14300	21970	15970
7000	64.7	13230	21080	15160	69.3	12690	20510	14820
7500	63.0	11670	19670	14060	67.9	11290	19200	13810
8000	61.3	10340	18410	13100	66.6	10080	18010	12910
9000	57.7	8200	16180	11330	63.8	8110	15880	11250
10000	54.0	6550	13510	9920	60.9	6570	13250	9920
11000	50.1	5250	11300	8700	58.0	5340	11190	8740
12000	45.9	4190	9540	7670	55.0	4340	9530	7770
14000	36.3	2600	6930	5960	48.5	2800	7040	6130
16000	23.2	1470	5120	4680	41.1	1670	5260	4890
18000					32.4		3950	3600
20000					20.2		2960	2630